

## General information

This form is to be completed if you cannot provide photo identification to support the Tasmania Births Deaths and Marriages Change of Name Registration Form.

### Privacy

The information required on this form is collected under the *Tasmanian Births Deaths and Marriages Registration Act 1999*.

Information held by the Registry may be used for statistical purposes and by law enforcement agencies, as well as other uses provided for by law. Such access for approved purposes may be granted to other Registries and certain government and authorised non-government agencies.

The Registry requires proof of your identity to protect your privacy. We collect this information to determine your eligibility to register a change of name, to issue the related certificate and to prevent fraud.

### False Information

It is an offence to make a false or misleading representation in any application or document under the *Tasmanian Births Deaths and Marriages Registration Act 1999*.

## Guarantor eligibility

The declaration must be signed by a guarantor.

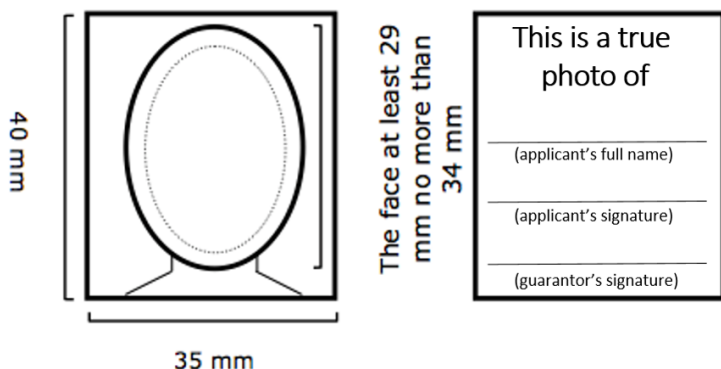
A guarantor must meet the following requirements:

- not be related by birth or marriage to the person changing their name;
- not be a de facto partner of the person changing their name;
- not live with the person in the last 12 months;
- be 18 years of age or over
- endorse the back of the photograph writing: "this is a true photo of " (the applicant's full name) and signing their own name.

## Photograph

Your photograph must:

- Measure 45mm high and 35mm wide.
- Be signed on the back by you.
- Be endorsed on the back by the guarantor with their name and signature.



## Guarantor's details

Full Name

Date of Birth

Residential address (PO Box not accepted)

Suburb/City

State

Postcode

Phone Number

Email Address

How do you know the person in this photo (e.g. friend, colleague)?

How long have you known this person?

## Guarantor's declaration

I declare that the information I have provided is true and correct to my knowledge and that I am qualified to be a Guarantor for the person changing their name in this application. I have read and understand all the instructions in this document including the section on 'Privacy' and 'False Information'.

By signing this application, I am allowing the Registry at its discretion to conduct checks with appropriate agencies to verify information in my application, including the authenticity of supporting documentation under the *Births Deaths and Marriages Registration Act 1999*.

Guarantor's signature

Date signed

## Enquiries

For processing times and details about who can apply please see our website - [www.justice.tas.gov.au/bdm](http://www.justice.tas.gov.au/bdm) or email [bdm@justice.tas.gov.au](mailto:bdm@justice.tas.gov.au) or phone 1300 135 513.